

OPERADOR DE ENGRANES

Cuerpo en fundición de aluminio

Torque de salida: 150NM - 1200NM

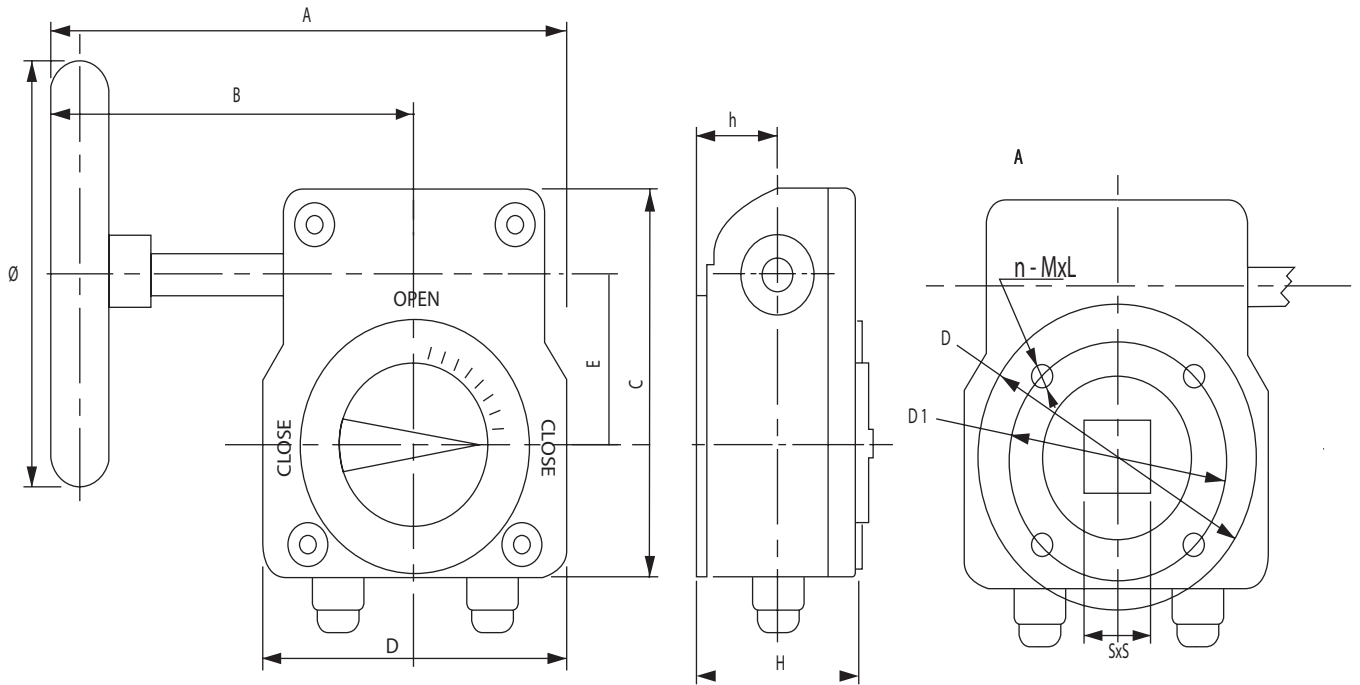
| Modelo | 10 | 15 | 50 | 120 |
|-------------------------|------|------|------|------|
| Transmisión | 40:1 | 37:1 | 45:1 | 40:1 |
| Carrera | 90° | 90° | 90° | 90° |
| Ajuste | +5° | +5° | +5° | +5° |
| Torque de entrada NM | 18.5 | 34 | 83 | 150 |
| Torque de salida NM | 150 | 250 | 750 | 1200 |

Eje sinfin
Cubierta
Volante



| Parte | Material | Seleccionable |
|----------------|----------|---------------|
| Cuerpo | ZL102 | 304/316 |
| Engrane sinfin | QT500 | |
| | | |
| | | |

OPERADOR DE ENGRANES



| Modelo | SxS | D | D1 | N-MXL | A | B | C | E | K | H | h | Ø |
|--------|-------|-----|-----------|---------|-----|-----|-----|------|-----|----|------|-----|
| 10 | 11x11 | 80 | 50 (F05) | 4M6x12 | 139 | 99 | 98 | 42.5 | 80 | 48 | 26 | 100 |
| | 14x14 | | 750 (F07) | 4M8x12 | | | | | | | | 120 |
| 15 | 17x17 | 89 | 70 (F07) | 4M8x12 | 165 | 115 | 115 | 50 | 100 | 54 | 27 | 200 |
| 50 | 22x22 | 140 | 102 (F10) | 4M10x15 | 293 | 220 | 155 | 60 | 146 | 71 | 38 | 260 |
| 120 | 27x27 | 175 | 125 (F12) | 4M12x15 | 350 | 260 | 191 | 80 | 175 | 80 | 39.5 | 300 |
| | 36x36 | | 140 (F14) | 4M16x20 | 410 | 323 | | | | | | 400 |